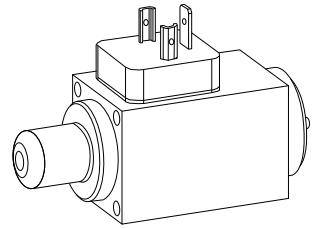


**Proportional pull-type solenoid PI35V- ...- M152
to VDE 0580
Plug plate acc. to ISO 4400/DIN 43650
Protection class IP65**



DESCRIPTION

The PI35V-...-M152 is a pull-type proportional solenoid. Its design corresponds to VDE standard 0580. The steel housing is zinc coated as a standard. The pressed-in armature tube is zinc coated. This guarantees high corrosion protection. Static pressure tightness is 350 bars! All o-rings are Viton. The solenoids are fixed to the valve with four screws. The connector plate corresponds to ISO 4400 and DIN 43650.

FUNCTION

With deenergised coil the pin will be extended by spring force. With rising solenoid current the spring force acting on the pin will be reduced. With the adjustment at the back of the solenoid the spring force may be set within a certain range. It is provided that the reference voltage is adequate at the specified reference temperature to reach the limit current in every case.

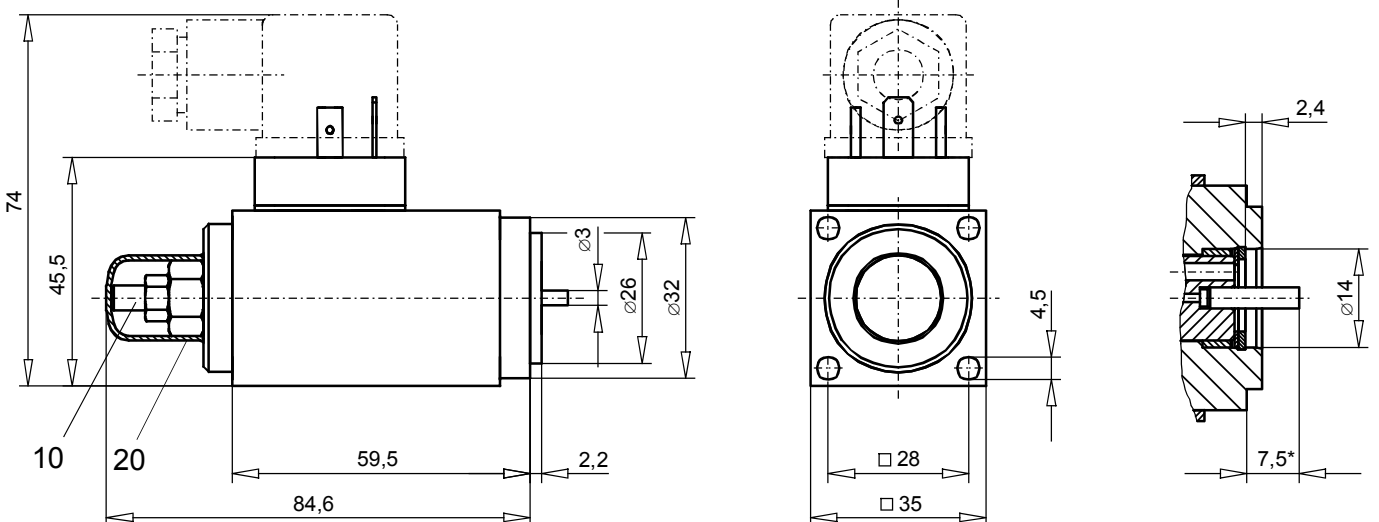
APPLICATION

Mainly for hydraulic proportional pressure valves. Because of the risk of overheating, the solenoid must never be energised separately. The length of the fixing screws depends on the base material of the body. An o-ring is used for the valve seal. Information on screws and o-rings will be found in the data sheets relating to the valves concerned!

TYPE CODE

		PI 35 V - <input type="checkbox"/> - M152 # <input type="checkbox"/>	
Proportional solenoid			
Industrial execution			
Square 35 mm housing			
Solenoid completely potted			
Nominal voltage U_N	12 VDC	<input type="checkbox"/> G12	
	24 VDC	<input type="checkbox"/> G24	
Pull-type solenoid (inverse function)			
Design-Index (Subject to change)			

DIMENSIONS



* Solenoid energised (s= 0 mm)

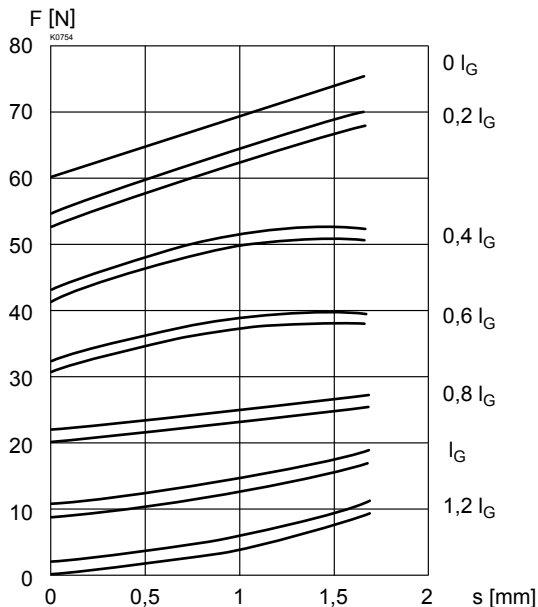
CHARACTERISTICS

Static pressure tightness	350 bar (seal diameter of valve max. 19 mm) With seal diameter of valve = 26 mm: Static pressure tightness = 190 bar
Coil winding insulation class	H
Connection/Power supply	Over device plug connection to ISO 4400/DIN 43 650, (2P+E), other connections on request
Protection class EN 60 529	IP65
Relative duty factor	100 %
Reference temperature	50 °C
Seal	Viton, other on request
Fluid	Mineral oil, other fluid on request
Mounting screws	4 x M4 (Quality 8.8)
Housing	Zinc coated steel housing, other surface treatments on request

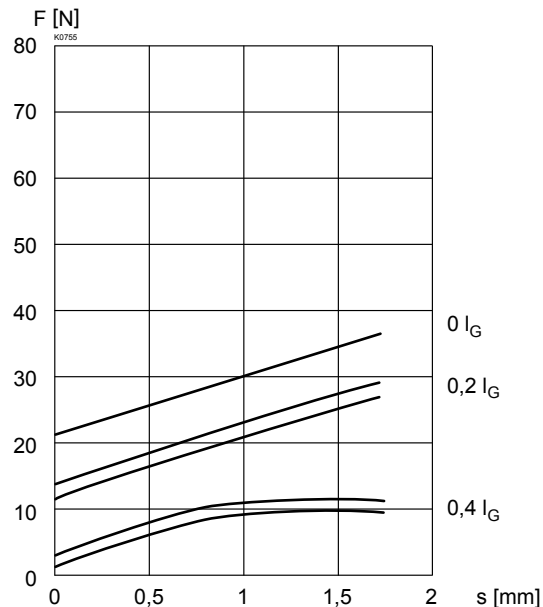
		12 VDC	24 VDC
Totale stroke	(mm)	1,75	1,75
Working stroke	(mm)	1,75	1,75
Rated force	(N)	56	56
Hysteresis of rated force	(%)	6	6
Hysteresis of rated current	(%)	6	6
Nom. linearity deviation	(%)	2	2
Rated resistance	(Ω)	7,2	25
Rated current	(A)	1,25	0,68
Limiting current	(A)	1,25	0,68
Nominal wattage	(W)	11,3	11,7
Performance limit	(W)	16	16
Number of windings	(-)	800	1'550
Inductivity	(mH)	14	60
Armature weight	(kg)	0,024	0,024
Solenoid weight	(kg)	0,50	0,50

PERFORMANCE

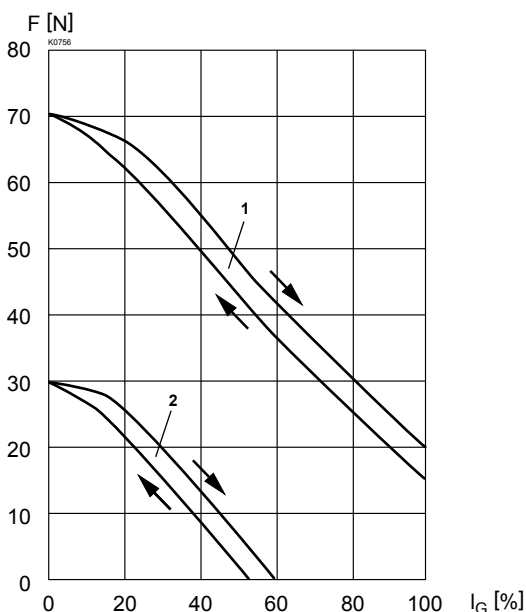
F = f (s) Force-stroke characteristics
(with max. spring force)



F = f (s) Force-stroke characteristics
(with min. spring force)



F = f (I) Force-current characteristics
1: with max. spring force
2: with min. spring force


ACCESSOIRES

Position	Article	Description
10	253.8012	Manual override HB4,5-H44
20	123.9030	Clamp cap

ACCESSOIRES

Plug grey Article No. 219.2001
Plug black Article No. 219.2002

Technical explanation see data sheet 1.1-410